

# Product data sheet

## Characteristics

# 9070T100D33

Transformer, Type T, industrial control, 100 VA,  
380/400/415 VAC primary / 115/230 VAC second,  
1 phase, 50/60 Hz, 55 °C



Product availability: Stock - Normally stocked in distribution facility

Price\*: 207.00 USD



### Main

|                           |                                |
|---------------------------|--------------------------------|
| Product or component type | Industrial Control Transformer |
| Rated power in VA         | 100 VA                         |
| Range of product          | T                              |

### Complementary

|                       |                       |
|-----------------------|-----------------------|
| Phase                 | 1 phase               |
| Rated power in VA     | 100 VA                |
| Temperature rise      | 55 °C                 |
| Electrical connection | Screw clamp terminals |
| Height                | 2.89 In (73.41 mm)    |
| Width                 | 3.38 In (85.85 mm)    |
| Depth                 | 3.34 In (84.84 mm)    |
| Material              | Copper winding        |
| Product compatibility | FSC1                  |

### Environment

|                           |  |
|---------------------------|--|
| Product certifications    | CSA file LR37055 guide 184-N-90<br>UL listed file E61239 |
| NEMA degree of protection | Not rated (open device)                                  |
| Insulation temperature    | 221 °F (105 °C)  |

### Ordering and shipping details

|                       |                                  |
|-----------------------|----------------------------------|
| Category              | 16200 - 9070 T (NOT TF) 50-200VA |
| Discount Schedule     | CP8                              |
| GTIN                  | 00785901905073                   |
| Nbr. of units in pkg. | 1                                |
| Package weight(Lbs)   | 3.84 Lb(US) (1.74 kg)            |

|                   |     |
|-------------------|-----|
| Returnability     | Yes |
| Country of origin | MX  |

### Packing Units

|                  |                     |
|------------------|---------------------|
| Package 1 Height | 3.80 In (9.652 cm)  |
| Package 1 width  | 4.20 In (10.668 cm) |
| Package 1 Length | 4.00 In (10.160 cm) |

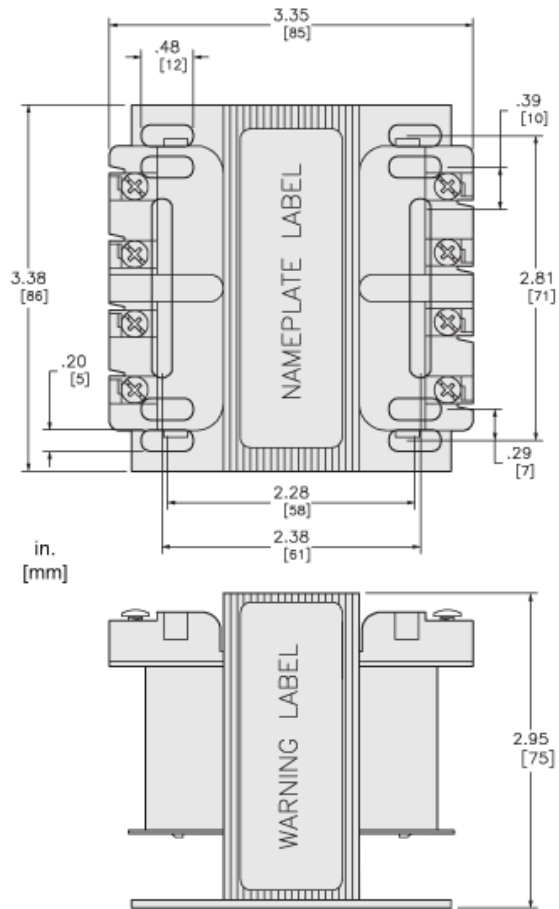
### Offer Sustainability

|                            |   |
|----------------------------|---|
| Sustainable offer status   | Green Premium product   |
| California proposition 65  | WARNING: This product can expose you to chemicals including: Phenyl glycidyl ether, which is known to the State of California to cause cancer and birth defects or other reproductive harm. For more information go to <a href="http://www.P65Warnings.ca.gov">www.P65Warnings.ca.gov</a> |
| REACH Regulation           | <a href="#">REACH Declaration</a>   |
| EU RoHS Directive          | Compliant <a href="#">EU RoHS Declaration</a>   |
| Mercury free               | Yes   |
| RoHS exemption information | <a href="#">Yes</a>   |
| China RoHS Regulation      | <a href="#">China RoHS Declaration</a>  |
| Environmental Disclosure   | <a href="#">Product Environmental Profile</a>   |
| PVC free                   | Yes   |

### Contractual warranty

|          |          |
|----------|----------|
| Warranty | 10 Years |
|----------|----------|

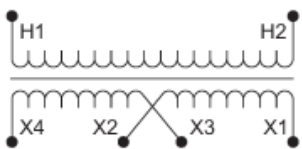
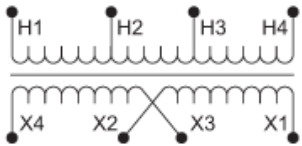
Approximate Dimensions



Connections and Wiring Diagrams

Voltage and Connection Options

| Voltage Code | Voltages    |                               | Connections   |   |
|--------------|-------------|-------------------------------|---|---|
|              | Primary     | Secondary                     | Primary   | Secondary   |
| D33          | 380/400/415 | 115/230                       | 380: Connect to H1 and H2<br>400: Connect to H1 and H3<br>415: Connect to H1 and H4 | 115: Connect to X1 and X4<br>Jumper X1 with X3<br>Jumper X2 with X4<br>230: Connect to X1 and X4<br>Jumper X2 with X3                                   |
| D37          | 550/575/600 | 110/220<br>115/230<br>120/240 | 550 or 575 or 600:<br>Connect to H1 and H2  | 110 or 115 or 120:<br>Connect to X1 and X4<br>Jumper X1 with X3<br>Jumper X2 with X4<br>220 or 230 or 240: Connect to<br>X1 and X4<br>Jumper X2 with X3 |
| D60          | 277         | 120/240                       | 277: Connect to H1 and H2   | 120: Connect to X1 and X4<br>Jumper X1 with X3<br>Jumper X2 with X4<br>240: Connect to X1 and X4<br>Jumper X2 with X3                                   |



Product Life Status : **Commercialised**